

PAR 64 SPOT BANKS

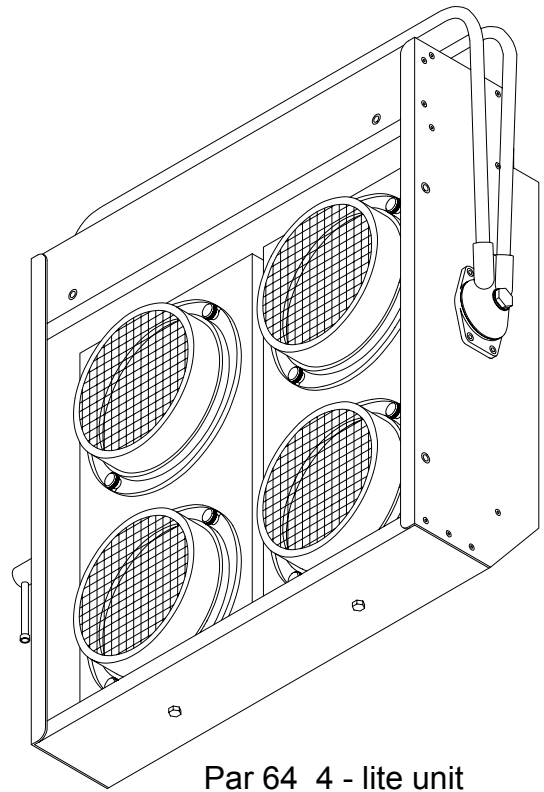
Spot banks are available in various configurations for par 64 lamps. The Spot Banks are designed, with ease of use in mind. The Spot Banks feature robust lightweight aluminium construction, semi-gloss black electrostatic paint finish, and heavy duty yoke with positive lock off. The lock off is accomplished by using a tee bar to enable unit to be set at any desired angle. In addition to these features, each lamp bank will pan independently to alter the lighting angle. Lamp changing itself is simple due to quick release knobs on lamp retaining ring. The Retaining Rings are chrome plated and are fitted with a safety mesh.

The spot banks can be supplied with optional 2 or 4 way barn doors. Incorporating color frame can be supplied at extra cost.

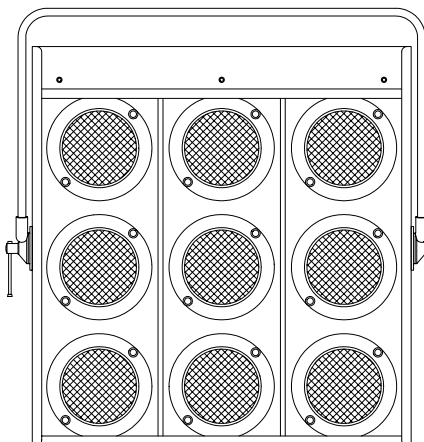
The units can be supplied wired or unwired. Custom sizes can be built to order.

PRODUCT CODE	DESCRIPTION	WT lbs
D6490	9 - Lite unit unwired	71.65
D6463	6 - Lite unit unwired	52.9
D6466	6 - Lite unit wired to 3 tails	55.15
D6462	6 - Lite 2 way barn door & color frame assy.	7.5
D6464	6 - Lite 4 way barn door & color frame assy	8.6
D6440	4 - Lite unit unwired	40.8
D6441	4 - Lite unit wired to 2 tails	43
D6442	4 - Lite 2 way barn door & color frame assy	6.85
D6444	4 - Lite 4 way barn door & color frame assy	7.95
D6400	Chrome bulb retaining ring	0.55

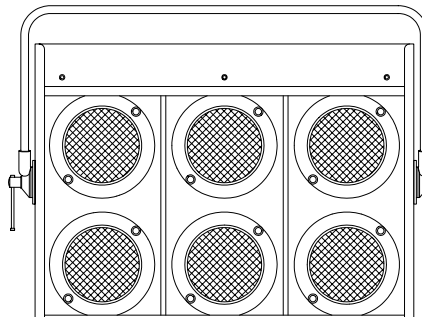
DIMENSIONS (ins)				
	WIDTH	HEIGHT	DEPTH	TOP OF YOKE TO PIVOT
9 - Lite unit	40.7	39.48	7.95	23.15
6 - Lite unit	40.7	27.32	7.95	17
4 - Lite unit	28.8	27.32	7.95	17



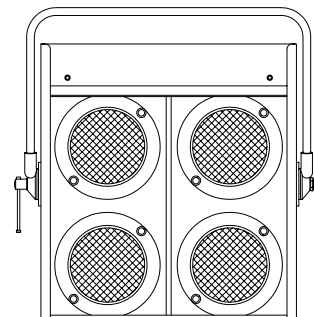
Par 64 4 - lite unit



Par 64 9 - lite unit



Par 64 6 - lite unit



Par 64 4 - lite unit