

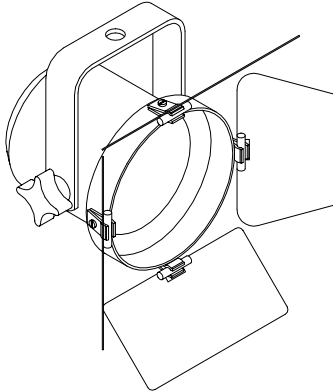
JAMES



ENGINEERING

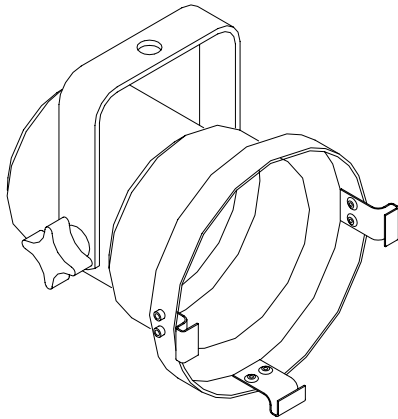
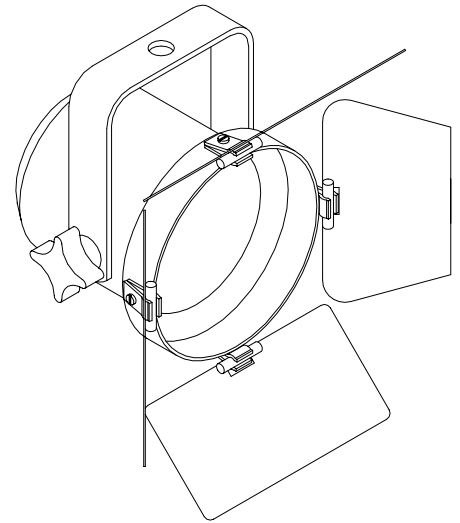
PAR 20, 30 & 38 LANTERNS

Par 20, 30 and Par 38 are manufactured using the E27 or Medium base lampholder for mains voltage lamps up to 150 watts. The Par 20 and 30 lanterns are fitted with integrated barn doors.(a color frame is available as an addition option) The Par 38 is fitted with a color frame as standard. The Par 20, 30 and Par 38 are all available in a UL listed configuration with an edison connector (parallel U ground) in either a coil cord or a straight cord. **UL listed file: E161581**



PAR 20 LANTERN				Weight in pounds (kgs)
	BLACK	SILVER	COLOR	
PAR 20 with integral barn door	A2000	A2001	A2002	1.23 (0.56)
PAR 20 with color frame	A2003	A2004	A2005	1.08 (0.49)
UL listed with coil cord add " -L-CC " (ex. A2000-L-CC)				add 0.62 (0.28)
UL listed with straight cord add " -L-ST " (ex. A2000-L-ST)				add 0.62 (0.28)

PAR 30 LANTERN c/w BARN DOORS				Weight in pounds (kgs)
	BLACK	SILVER	COLOR	
PAR 30 with integral barn door	A3000	A3001	A3002	1.47 (0.67)
PAR 30 with color frame	A3003	A3004	A3005	1.32 (0.6)
UL listed with coil cord add " -L-CC " (ex. A3000-L-CC)				add 0.62 (0.28)
UL listed with straight cord add " -L-ST " (ex.A3000-L-ST)				add 0.62 (0.28)



PAR 38 LANTERN c/w COLOUR FRAME				Weight in pounds (kgs)
	BLACK	SILVER	COLOR	
PAR 38	A3800	A3801	A3802	1.58 (0.72)
UL listed with coil cord add " -L-CC " (ex. A3800-L-CC)				2.2 (1.0)
UL listed with straight cord add " -L-ST " (ex. A3800-L-ST)				2.2 (1.0)

DIMENSIONS inches (mm)					
DESCRIPTION	LENGTH OF BODY	WIDTH	HEIGHT (NOT INCLUDING YOKE)	TOP OF YOKE TO PIVOT POINT	COLOR FRAME SIZE
PAR 20	4.72 (120)	4.76 (121)	5.86 (149)	3.54 (90)	3.54 X 3.54 (90 X 90)
PAR 30	4.72 (120)	5.43 (138)	5.86 (149)	3.54 (90)	5 X 5 (127 X 127)
PAR 38	6.5 (165)	6.1 (155)	7.64 (194)	3.54 (90)	6 X 6 (152 X 152)