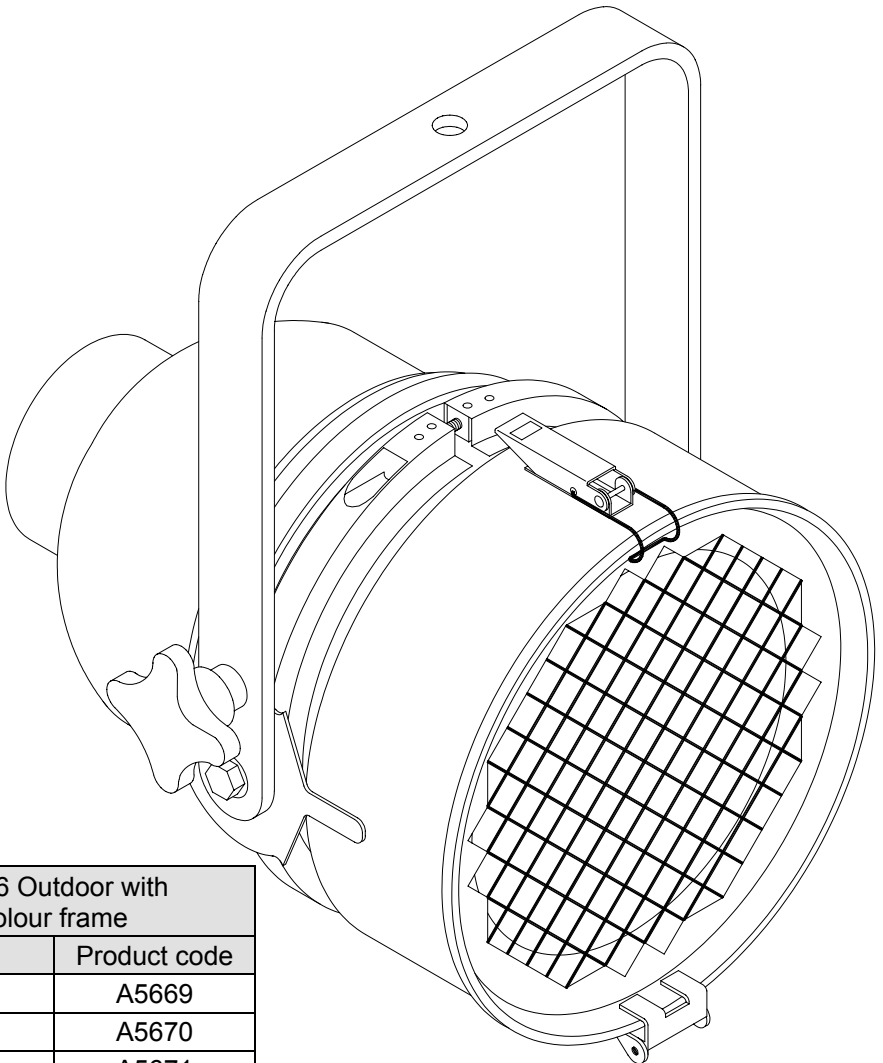
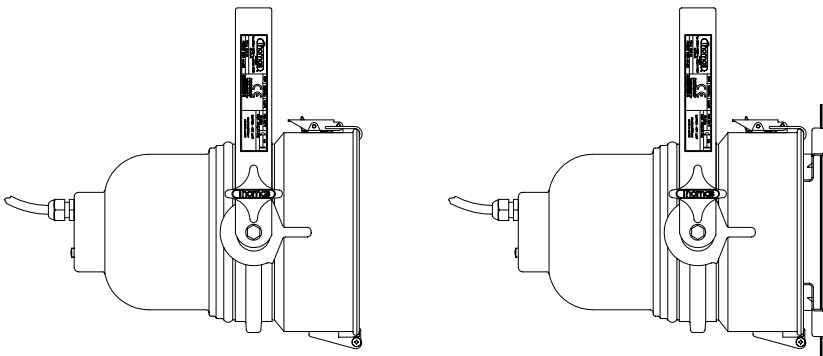


Par 56 Outdoor Lantern

The Par 56 Outdoor lantern is designed for use outdoors in damp locations and has an IP44 rating. This unit has a unique focusing device allowing external focusing of lamps. Positive lock off system which locks the lantern in its focused position. Par 56 Outdoor lanterns are supplied with wire mesh, cable grip gland and lamp retaining ring. Standard finishes are semi matt black or silver - black interior, other finishes can be priced on application, RAL color number is required for identification. Two versions are available one without gel feet and the other with gel feet and a circular color frame. If required a dichroic glass holder can be fitted behind the front glass when a D5672 Dichroic glass holder is specified. All models conform to the low voltage directive and are "CE" marked.



Par 56 Outdoor		Par 56 Outdoor with colour frame	
Colour	Product code	Colour	Product code
Black	A5666	Black	A5669
Silver	A5667	Silver	A5670
Color	A5668	Color	A5671



Dimensions (inches)					
Type	Length	Width	Height (not including yoke)	Top of the Yoke to pivot point	Weight
Par 56 Outdoor	12.72	10.71	13.82	9.17	4.63 lb
Par 56 Outdoor with color frame	13.35	10.71	14.37	9.17	5.22 lb